

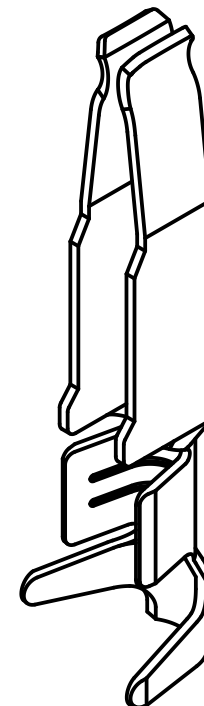
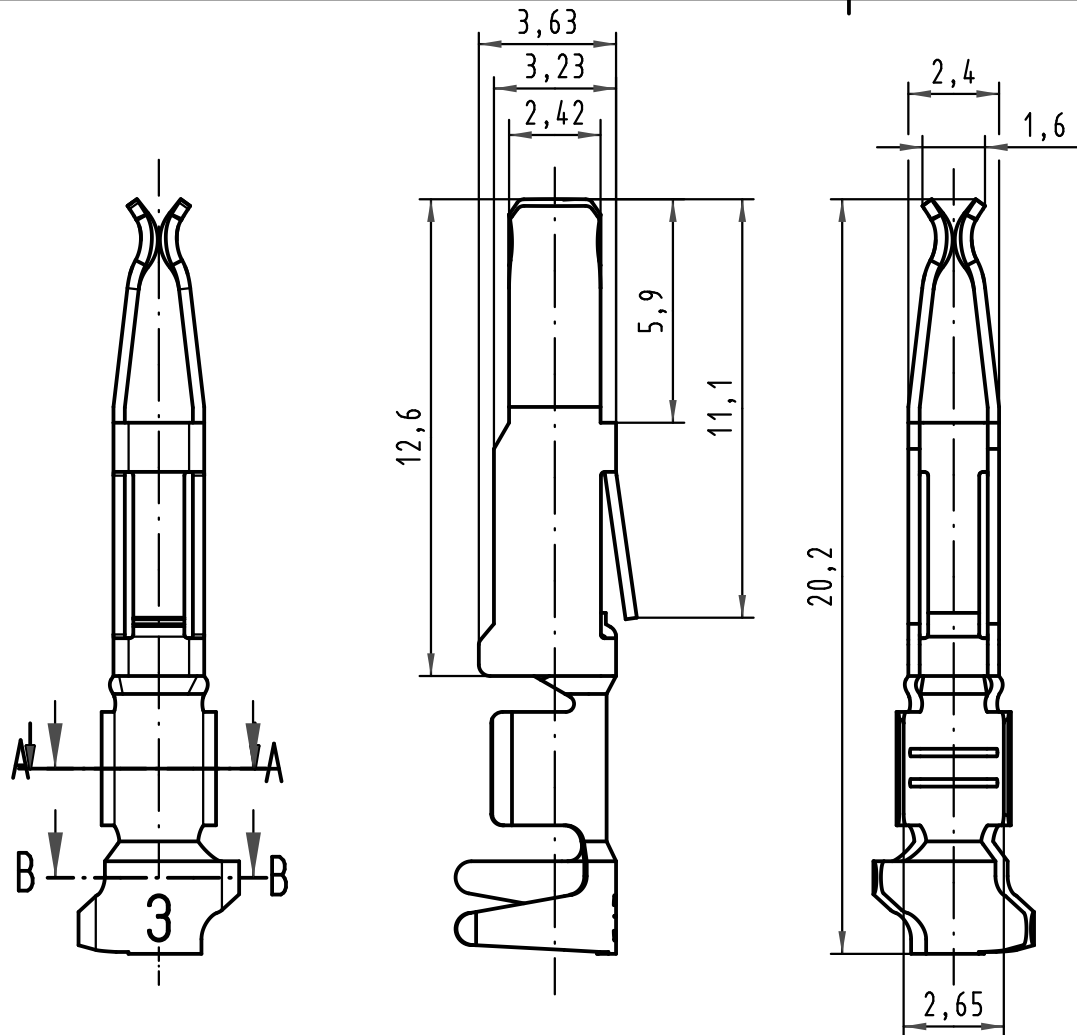


# Product details

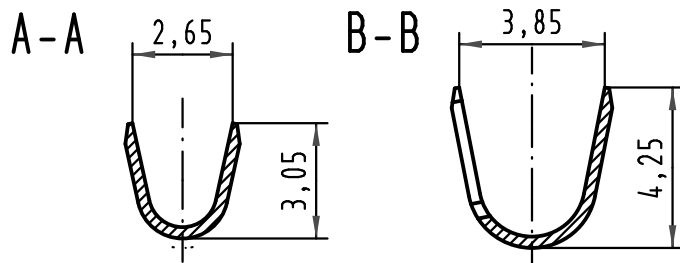
**09 06 000 8482**

## **Female contacts**

Contact gender	Female contacts
Wire gauge	Wire gauge: 0.50 - 1.50 mm <sup>2</sup>
Performance Class	Performance level 2 as per IEC 60603-2
Packaging	Individual contacts
Application	browsing..
Type	Type MH
RoHS compliant	Yes



09 06 000 84 <u>8</u> 2	2
09 06 000 84 <u>7</u> 2	1
Bestell-Nr. part-no.	Anforderungsstufe nach IEC performance level acc.to IEC



All Dimensions in mm Original Size DIN A 4		Techn. Character. <i>complementary IEC 60603-2</i>		Nicht tolerierte Maßel Free size tolerances <i>complementary IEC 60603-2</i>	
		Dat.	Name	Maßstab/Scale <b>5:1</b>	
		Detail.	17.01.06 Leh.		
		Insp.	17.01.06 Ge.		
35209	23.06.08	Hage.	Stand.		
34657	21.08.07	Hage.	HARTING Electronics GmbH & Co. KG D-32339 ESPELKAMP		
33227					
Mod.	Dat.	Name			TB 09 06 000 84x2 Sub.